

HYDRUX

EXAM AND RECOVERY



HYDRAULIC STRETCHER 2 SECTIONS
FOLDING SIDE RAILS
Ref. 4421



@mubimedical
www.mubimedical.com



COMFORT AND DYNAMISM

A transport stretcher solution with excellent maneuverability designed for transfers, efficiency and resistance to the rigors of the healthcare environment.

DESIGN AND SAFETY

PATIENT SURFACE

Four sections: one fixed and three mobile, made of cold-rolled steel sheet, easy to disinfect.



BUMPERS WHEELS

Protection for both, the stretcher and the institution walls in case of impact.



PUSH HANDLES

Ergonomics. NO foldable, designed for use while transporting the stretcher.

SAFETY SIDE RAILS

One section, foldables, fabricated in high-resistance polymer, and top cover in aluminum. One-handed operation, facilitating the process of the healthcare staff.



Rail release handle.

MOBILITY AND EASY TO USE

BACKREST ADJUSTMENT

Assist liberation of handle mechanism to carry the backrest to the required positions. Facilitating the labor of the healthcare staff and improving the patient experience.



HEIGHT ADJUSTMENT TRENDLENBURG AND REVERSE

Movements assisted by pedals on both sides of the stretcher.

OXYGEN TANK HOLDER

Located on the base cover.



RETRACTABLE FIFTH WHEEL

Reduces the risk of collision by improving control in straight and curved paths.



CASTERS AND BRAKES

Casters fabricated in polyurethane, maintenance-free. Corners pedals to activate brake, minimizes the risk of injury from falls during patient entry and exit.

SIMPLICITY AND ADAPTABILITY

Easy to use and excellent durability for the continuity of the service. Easy configuration, positions that support the transfer, rest and the patient recovery.



Backrest



Horizontal



Trendelenburg



Reverse Trend.



Height adjustment

*Check the specifications chart.



IV POLE

Adjustable and removable. With two hooks of double service. Load capacity of 17.6 lb (8 kg).



High-resistance materials compatible with hospital disinfectants such as hypochlorite, quaternary ammonium, and antiseptic alcohol.

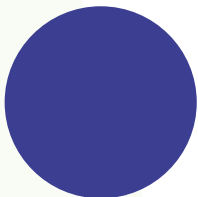
CLINICAL MATTRESS

Internal structure made of high-density polyurethane (PU). Cover made of vinyl with UV protection, waterproof, anti-static according to ASTM D-257, bacterial resistant according to AATCC TM 147, mildew resistant (NO GROWTH (NG)), invisible waterproofed seams, fire retardant and latex free.

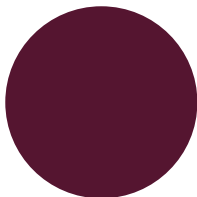


COLOR OPTIONS*

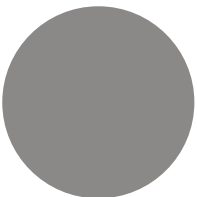
Personalize the upholstery of the mattress according to the different colors available. Get the best of your spaces with the perfect combination.



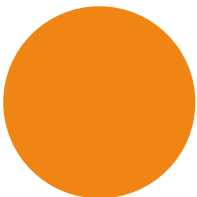
ROYAL
BLUE



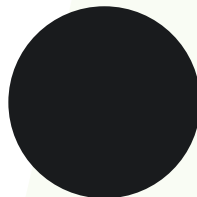
MULBERRY



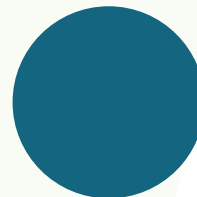
GRAY



ORANGE



BLACK



TURQUOISE



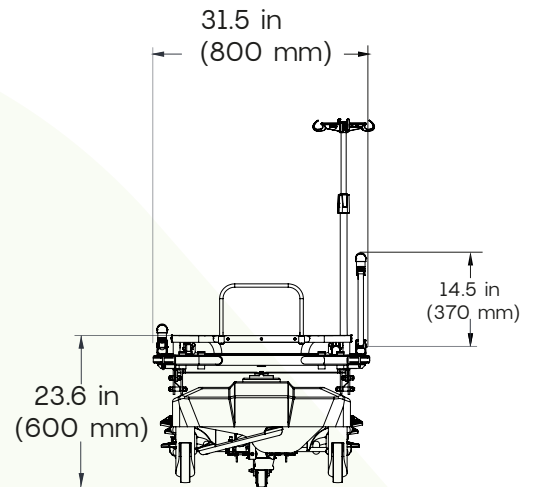
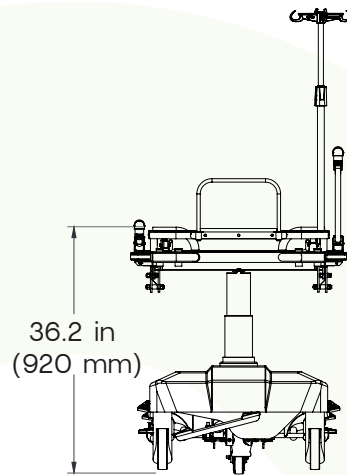
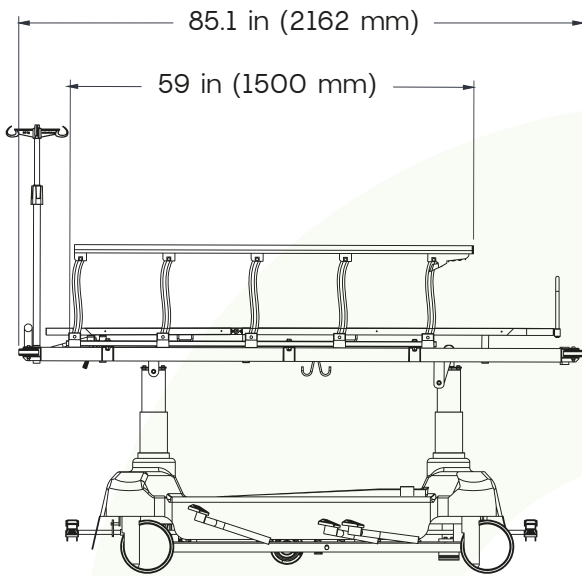
GREEN
APPLE

* With additional cost. Request the complete finishes guide.

* Color changes may affect time of delivery; Consult with your account executive.

* Color change requires a minimum order of 10 units.

DIMENSIONS *



Maximum Height

Minimum Height

PATIENT SURFACE

Length	74.8 in (1900 mm)
Width	26.4 in (670 mm)
Side rails	59 in X 14.5 in (1500 mm X 370 mm)

MOVEMENTS

Backrest	0° to 74°
Trendelenburg	19°
Reverse Trendelenburg	-16°

*Units expressed in inches (in) and millimeters (mm). Tolerances: ± 3° degrees, dimensions ± 1 in (25.4 mm).

PACKAGING

- Box Ref: 5955. Palet Ref: 10592.
- Container: 20 FT STD: 12 units. 40 FT STD: 24 units. 40 FT HC: 36 units.

STANDARD FEATURES *

- Tested safe load capacity 458 lbs (220kg)
- Pneumatic shock-absorber-assisted backrest.
- Height adjustment, Trendelenburg and reverse assisted by hydraulic system.
- Surface of two sections in radiolucent acrylic polymer sheet.
- Removable safety siderail in the footrest.
- Removable mattress made of high-quality polyurethane foam, 3.1 in (80 mm), with bacterial resistant, waterproof and latex-free cover.
- Safety side rails, folding, one-handed retractable release lock, when actuated, they rest at the level of the laying, made of high impact polymer, top cover in aluminum for easy disinfection.
- Bumper wheels in the corners.
- Push handles at the ends of the stretcher.
- Drainage bag hooks on both sides of the stretcher.
- Straps holder support for thorax and leg.
- Adjustable stainless-steel IV pole, with four service hooks and safety lock made of polymer. Safe load capacity 17.6 lb (8 Kg).
- IV pole sockets on stretcher corners.
- Oxygen tank holder and patient belongings area on the base cover.
- Maintenance-free, 8 in. (203.2 mm) polyurethane casters.
- Retractable fifth wheel steering and centralized braking assisted by pedals at the ends of the stretcher.

MANUFACTURING AND FINISHES *

- High strength cold rolled steel frame.
- Rust resistant Epoxy-polyester powder coat finish

ACCESSORIES (OPTIONAL WITH ADDITIONAL COST) *

- Extra stainless steel IV pole.
- Vertical oxygen tank holder.
- Monitor table with support for medical record holder.

NOTE

* MUBI Medical reserves the right to modify specifications without prior notice.

** Color change incurs an additional cost and may affect time of delivery; please consult with your representative.



TRANSFORMING SPACES, IMPROVING LIVES



Medellín - Colombia
Calle 2 # 50-185
(57) 604 285 2838

Cali - Colombia
Calle 18 # 118-85
(57) 602 489 6999



mubi
M E D I C A L