

# IRIS

EYE STRETCHER



# IRIS

EYE STRETCHER



**SAFETY, AND COMFORT IN OCULAR PROCEDURES.**

## COMFORT AND DYNAMISM

Iris is a stretcher that ensures stability and reliability for delicate ocular procedures. Iris combines a standard design with customizable configurations to meet specific needs and prioritize mobility and security. Mubi Medical provides flexibility for a personalized surgical experience, focusing on comfort for surgeons and patients alike.



## DESIGN AND SAFETY

### **Stretcher with a Five-Section Surface:**

one fixed and four mobile, detachable sections crafted in acrylic (headrest and backrest) and cold-rolled steel sheet (mobile central, fixed central, and legs)



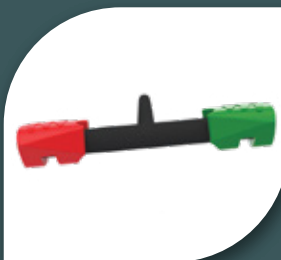
**Foldable push handles:** on the foot end ease transportation and provides patient access through this mechanism.



**Retractable fifth wheel:** Enables optimal movement, secure turns, and control during transfers. Floor pressure: 20 kg.



**Central Locking System:** Prevents the wheels from turning, ensuring the patient's safe exit.



**Telescopic IV Pole:** Fixed and foldable, made of stainless steel, located at the foot end of the stretcher. With a maximum load capacity of 8 kg (17 lbs).



\*Removable IV pole is an optional accessory.

## MOBILITY AND EASY USE

Ideal for hospital environments, it provides support, comfort, and reliability.



**Headrest support** that allows adjusting its tilt and height through a knob system.

Polymer telescopic covers protect the hydraulic lifting system from contamination by fluids or dirt.

**Safety siderails** with single-hand release lock, featuring a simple and effective mechanism that prevents the risk of entrapment.

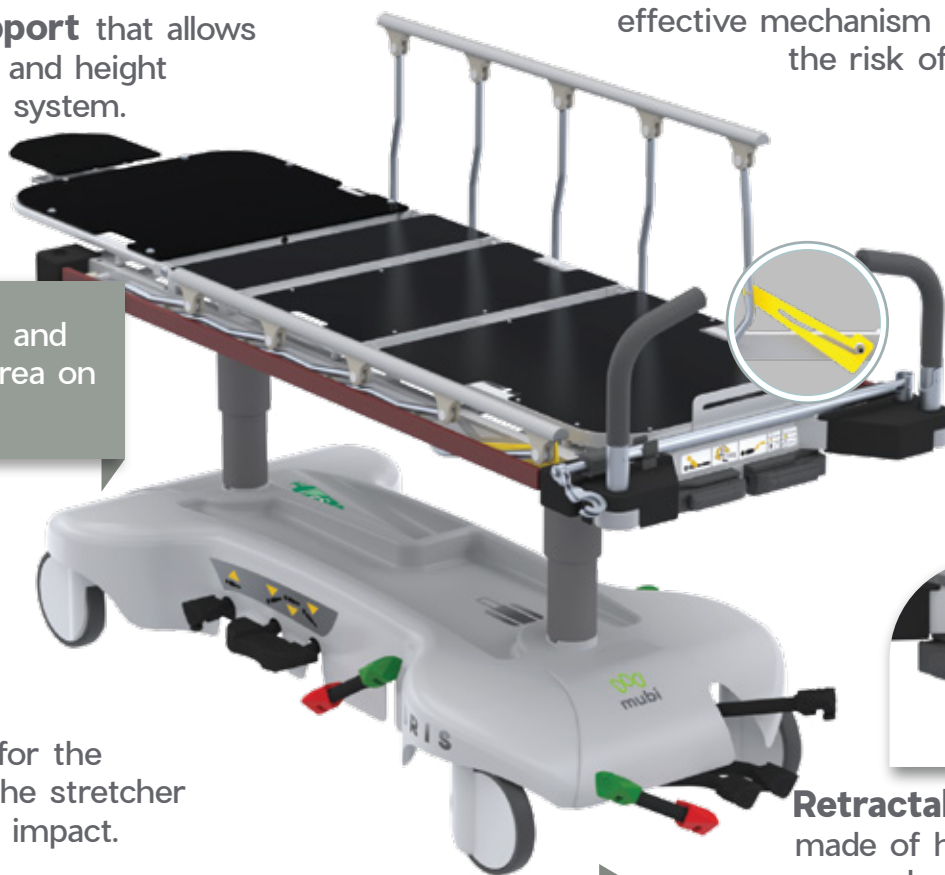
Oxygen tank holder and patient belongings area on the base cover.



**Bumper wheels** for the protection of both the stretcher and walls in case of impact.

Pedal-assisted movements, located at the front, on the right, and left sides of the stretcher.

**Retractable handles** made of high-strength polymer allow the healthcare workforce to adjust the stretcher to different positions.



# IRIS

EYE STRETCHER



**IDEAL FOR SURGICAL AND  
POSTOPERATIVE UNITS.**

# SIMPLICITY AND ADAPTABILITY

STANDARD DESIGN WITH MULTIPLE CONFIGURATION OPTIONS, FOCUSING ON MOBILITY AND SECURITY.

## HEADREST MOVEMENTS



Height Adjustment



Tilt Adjustment

## STANDARD MOVEMENTS



Backrest



Horizontal



Trendelenburg



Reverse trend.



Knee gatch




Recovery chair



Recovery position

# IRIS

EYE STRETCHER



**OPTIMIZING WORKFLOW: IRIS  
EYE STRETCHER, YOUR  
EFFICIENCY ALLY.**



**Multiple options of colors for the patient surface to match it with different spaces.**



## PATIENT SURFACE

Featuring a high-density polyurethane (PU) foam core. The cover is crafted from polyvinyl chloride with light protection, liquid resistance, anti-static properties ASTM D-257, bacteria resistance AATCC TM 147, mold resistance NO GROWTH (NG), flame retardancy, and latex-free composition.

### COLOR OPTIONS\*

PRANNA ®



AZUL  
REY



BRAVIA  
MORA



GRIS



NARANJA



NEGRO



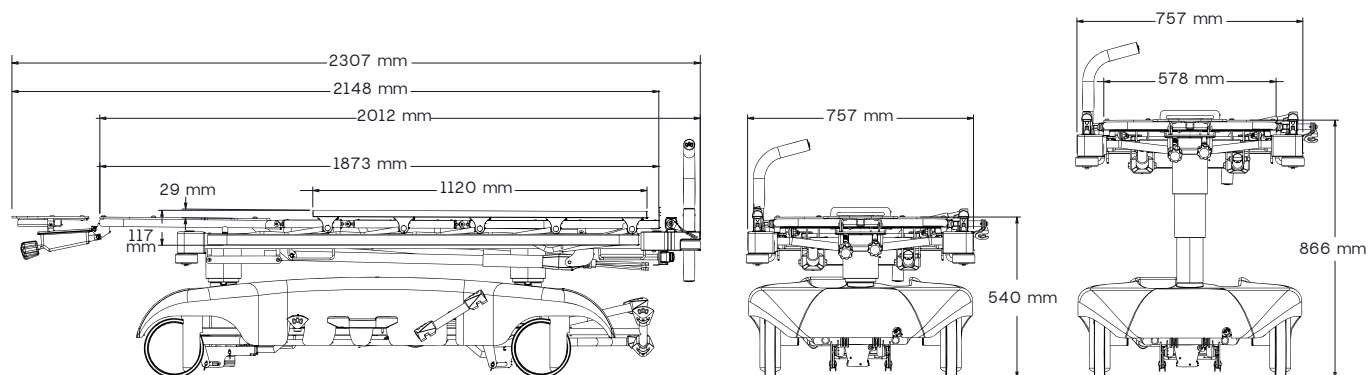
TURQUESA



VERDE  
MANZANA

\*Request the complete finishing guide.

## DIMENSIONS\*



EXTERNAL DIMENSIONS**		
	WITH HEADREST	WITHOUT HEADREST
Length	90.8 in (2307 mm)	79.2 in (2012 mm)
Width	30 (762 mm)	30 in (762 mm)

PATIENT SURFACE**		
	WITH HEADREST	WITHOUT HEADREST
Length	84.5 in (2148 mm)	73.7 in (1873 mm)
Width	22.7 in (578 mm)	22.7 in (578 mm)

MOVEMENTS**	
Backrest	0° to 70°
Knee gatch	0° to 25°
Headrest Movement 1	-1 in a 1 in
Headrest Movement 2	18° to 30°
Trendelenburg	17°
Reverse Trendelenburg	-17°
Minimum Height	21.2 in (540 mm)
Maximum Height	34.1 in (866 mm)

\*Units expressed in millimeters.

\*\*Tolerances  $\pm 3^\circ \pm 1$  in (25.4mm)

## STANDARD FEATURES

- Maximum weight capacity 500 pounds (227 kg).
- Maximum headrest weight capacity 59.5 pounds (27 kg).
- Retractable fifth wheel.
- 5-section layout support platform.
- Hand crank operated Backrest and knee gatch
- Patient strap holders around the frame.
- One (1) foldable fixed IV pole located at the foot area.
- 8 in (203 mm) wheels.
- Brake and steer pedals on the sides and foot area
- Hydraulic lifting system.
- Foldable safety rails.
- IV pole sockets (4 at the corners).
- Drainage bag supports.
- Corner bumper wheels
- Base cover with oxygen tank holder and patient belongings area.
- 4 in patient surface with waterproof and antibacterial cover.

## MANUFACTURING AND FINISHING\*\*

- High strength cold rolled steel frame.
- Rust resistant Epoxy-polyester powder coat finish.

## ACCESSORIES (OPTIONAL WITH ADDITIONAL COST)\*\*

- Concave headrest pad.
- Wrist Rest
- Stainless Steel Surgical Rail..
- Removable telescopic IV pole

\*MUBI Medical reserves the right to modify specifications without prior notice.

\*\*The color change incurs an additional cost and may impact the delivery time. Please consult with your account executive.



**mubi**

M E D I C A L



@mubimedical

**TRANSFORMING  
SPACES,  
IMPROVING  
LIVES**

**Medellín – Colombia**  
Calle 2 # 50-185  
(57) 604 285 2838

**Cali – Colombia**  
Calle 18 # 118-85  
(57) 602 489 6999

[info@mubimedical.com](mailto:info@mubimedical.com) | [www.mubimedical.com](http://www.mubimedical.com)